



USA

EN Instructions for use
FIUS1602I235

Viaggio

ALEX



⚠ WARNING:

• Do not install or use this booster seat until you read and understand all the instructions in this manual and the labels. To avoid serious injuries to your child, follow the instructions carefully. Keep the instruction manual in the dedicated pocket for future reference.

Weight limits:
40 – 120 lbs
(18 – 54 kg)

Height limits:
39 - 63 inches
(99 – 160 cm)

Table of Contents

Introduction.....	3
⚠ Warning	5
Safety information	7
Registration form	8
Your booster seat	9
Rigid Latch.....	10
Product components.....	11
Opening the product before use.....	12
Product features	13
Vehicle seatbelts design and compatibility	16
Vehicle seat design and compatibility	20
Installing the booster seat in the vehicle	21
Securing your child in the booster seat	26
How to fold and carry the car seat	31
Cleaning and maintenance	33
Accessories.....	44
Replacement Parts	45

Introduction

Thank you for choosing the Peg-Perego Viaggio Flex 120 booster seat. As with all Peg-Perego products, your Viaggio Flex 120 has been designed and certified by a dedicated team of engineers inside Peg-Perego's research and development department. It has been manufactured and assembled in a Peg-Perego plant under certified quality procedures and using high quality materials from certified suppliers. As with all booster seats, the Viaggio Flex 120 is designed to be used with a child inside a vehicle.

We encourage you to use the Viaggio Flex 120 with the utmost concern by driving carefully when a child is on board and by taking your time to explore the product to get to know all of the features, different possible uses and the best and proper installations. Please read through the manual in its entirety with the product in sight. This will allow for checking every point on the product and thoroughly understanding it. Install the Viaggio Flex 120 in your vehicle by taking the necessary time and making fitting trials before using it with your child. Once the manual has been read, store it in the base of the Viaggio Flex 120 to

Introduction

ensure that anyone else using the seat will be able to access it for help.

Should you see any malfunctioning feature or broken parts, please do not hesitate to call Peg-Perego Customer Service @ 1-800-671-1701 for help. Now that you are familiar with your new Viaggio Flex 120, you are ready to enjoy safe and happy journeys with your family.

Warning

- Do not install or use this booster seat until you read and understand all the instructions in this manual and the labels on the product. To avoid serious injuries to your child, follow the instructions carefully. Keep the instruction manual in the backrest for future reference.
- Your child could be seriously injured if you do not follow instructions and warning labels correctly.
- Use only the vehicle's lap and shoulder belt system when restraining the child in this booster seat. Snugly adjust the belt around child's body making sure that the belt lies flat with no slack.
- This booster seat meets or exceeds all applicable Federal Motor Vehicle Safety Standard 213 requirements for use in motor vehicles. This restraint is NOT certified for aircraft use since aircraft seats are normally equipped with lap belt only.
- Not all available models of seatbelts are approved for use with this product. Refer to the dedicated section in this manual for further details.
- Viaggio Flex 120 can be secured to your vehicle by means of lower universal anchorage system (LATCH) for added stability. Refer to the dedicated section in this manual for installation details and check your vehicle owner's manual for further details.
- This booster seat is designed to be installed on front

! Warning

facing vehicle seats only. Never use on seats looking sideways or rearward facing. Do not use in cars with door-mounted or motorized shoulder belts. Read your vehicle owner's manual for additional information.

- According to accident statistics, children are safer when properly restrained in the rear seating positions than in the front seating positions.
- Complete and send in the registration form provided with this product right away. In case of an accident: if this car seat is involved in a car accident, it may be no longer safe for use. You may need to get a new unit. Call Peg-Perego Customer Service at 1-800-671-1701 (toll free) for information about repairs or spare parts.
- Seat covers and pads provided in this product are part of the product and the certification program. The use of non approved covers or other accessories are not recommended.
- EPS components (white soft foam located below the upholstered covers) are integrated in the product as safety related parts and should never be removed or damaged.
- Firmly secure this booster seat in the car even when not occupied. This car seat is a heavy object that could cause severe damage to other occupants in case of an accident. Secure the seat using rigid latch (folded or unfolded). If latch is not in use, secure the seat using the vehicle belt.
- Keep fingers away from moving parts.

Important Information

- Use Viaggio Flex 120 in forward facing mode with children weighing in the range 40 – 120 lbs (18 – 54 kg) and whose height is between 39 and 63 inches (99 – 160 cm).
- When placing your child in the seat, make sure that bulky jackets are removed. This will make the use of seatbelts safer as bulky jackets can negatively affect the snugness of the belts in a crash.
- Do not leave your child unattended in the vehicle, even for a short period. He/she could get tangled in the straps and be seriously injured or could move or tip the seat.
- Do not leave the booster seat under direct sunlight for a prolonged time. The seat may become very hot and burn your child's skin. In this eventuality, make sure that the booster backrest is folded (page 31).
- When not in use, store the product in a proper place, away from light, moisture, excessive heat or cold.
- Do not place this car seat on countertops, tables or soft surfaces.
- Do not try to remove or add parts unless where explained in this manual; do not try to repair this product. In case of damaged or defective components, call customer service @ 1-800-671-1701 for help.
- Do not leave loose objects, bags or luggage in the vehicle interior. In case of an accident they could suddenly move causing the occupants to be injured.
- Do not use this unit after twelve (12) years from the date of production labelled on the seat.

Registration Form

Important! Child restraints could be recalled for safety reasons. You must register this restraint to be reached in a recall. Send your name, address and the restraint's model number and manufacturing date to:

**Peg-Perego U.S.A., Inc. 3625 Independence Drive
Fort Wayne, IN 46808 Or call 1-800-671-1701 (toll free)**

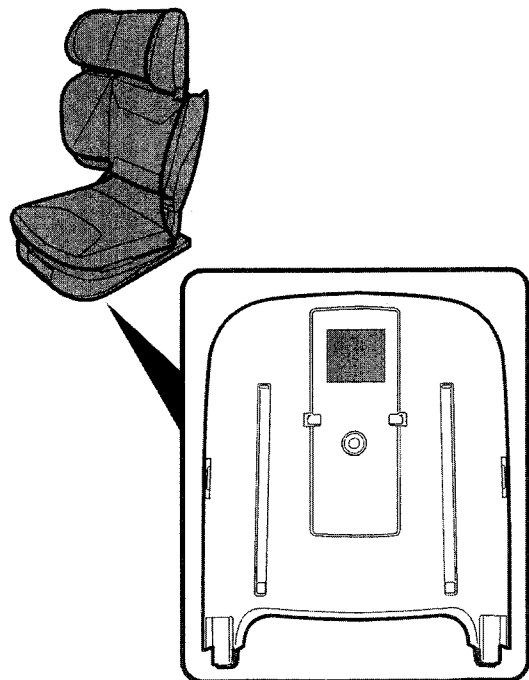
Or register online at

www.carseat-registration.pegperego.com

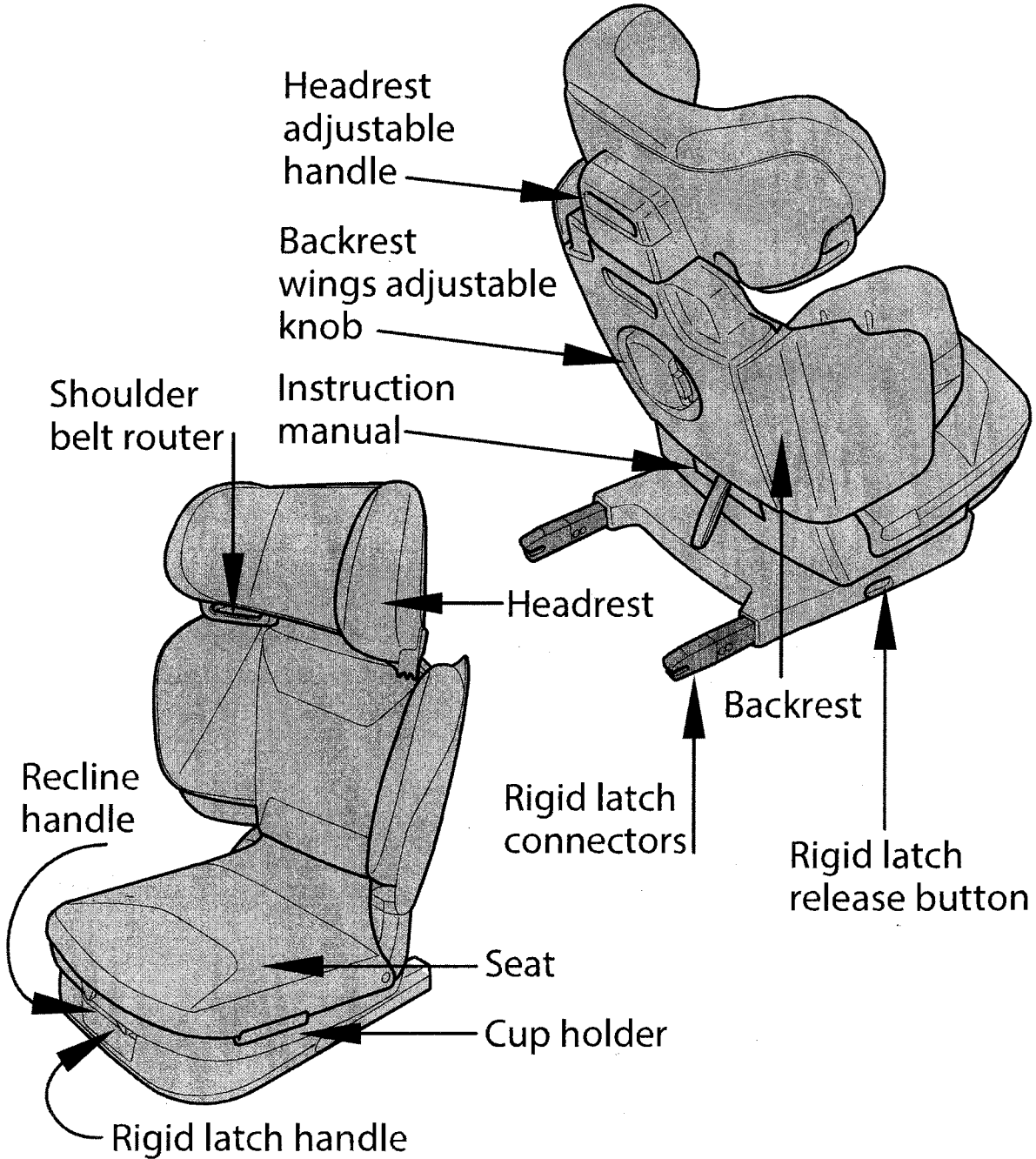
For recall information, call the U.S. Government's
Vehicle Safety Hotline at 1-888-327-4236

(TTY: 1-800-424-9153) Or go to <http://www.NHTSA.gov>

Model number, model name, date of manufacturing, etc. are indelibly printed on a label located under the seat base (as shown here). Registration form is attached to the product cover. Detach the form, fill in and mail to Peg-Perego. No stamp is needed. We have already paid for it. Should the registration form be missing, please call Customer Service @ 1-800-671-1701 for a replacement form.

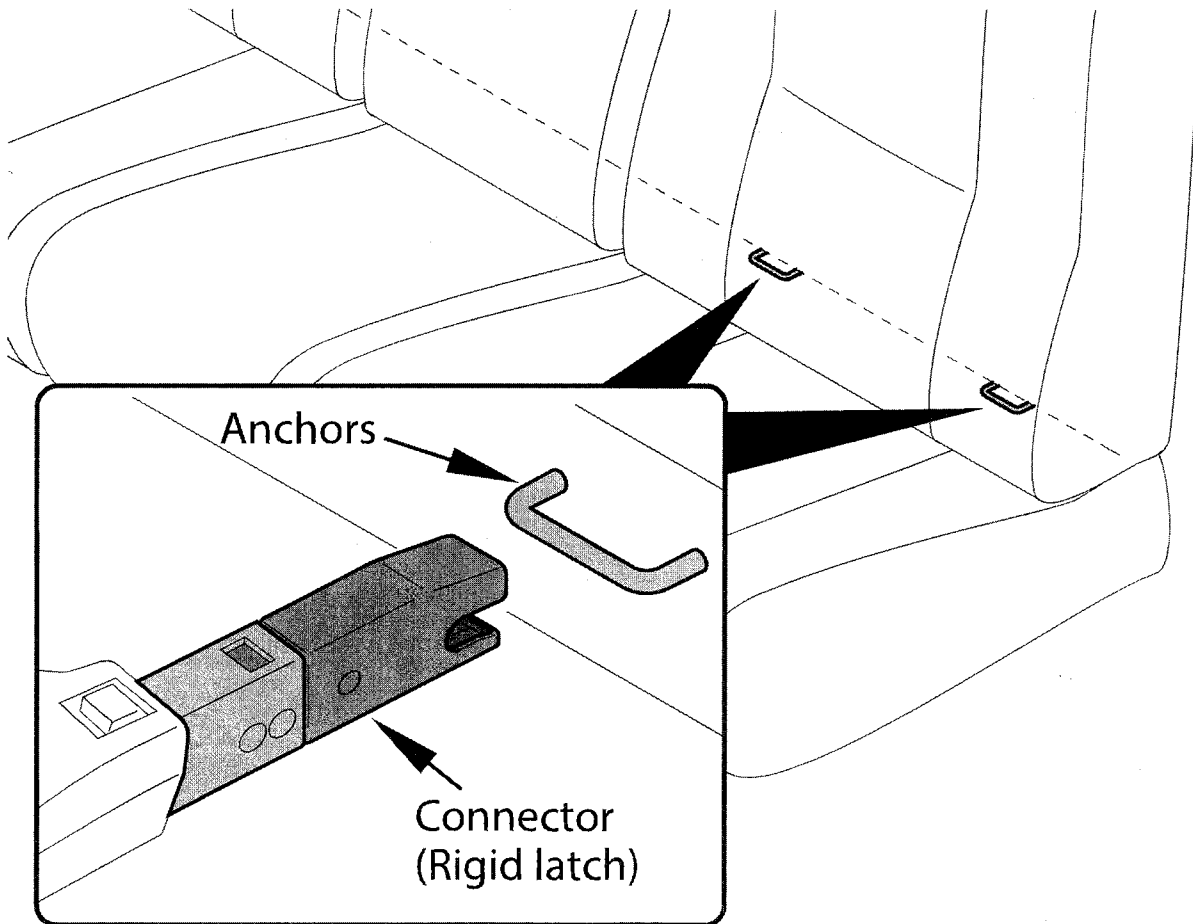


Your booster seat



Rigid Latch

Viaggio Flex 120 is equipped with rigid latch. The rigid latch interface is composed of two connectors, located in the integrated base of the child restraint and two anchors located at the joint line between the seat and backrest of the vehicle. The spacing between connectors corresponds to the spacing between the anchors in the vehicle.

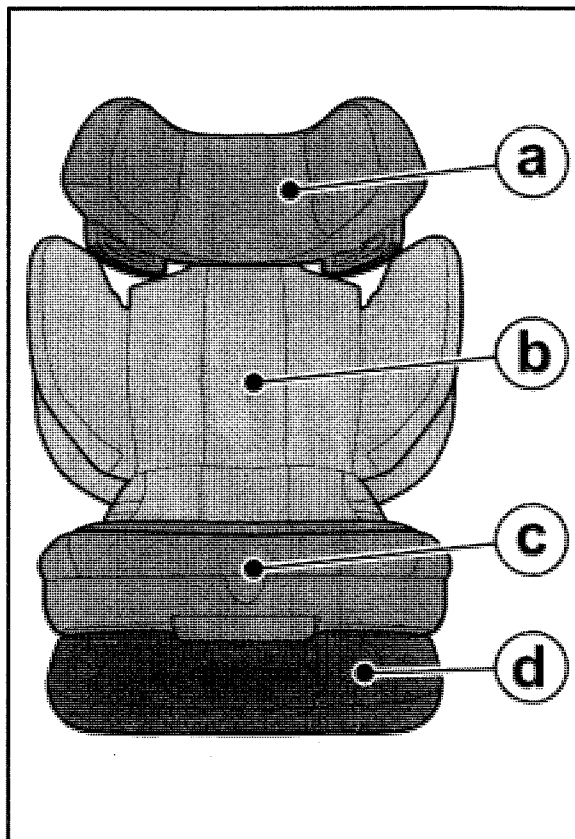


Product components

1. Always check the product prior to use. The product is composed of: headrest (a), backrest (b), seat (c), Rigid Latch Base integrated into the seat (d).

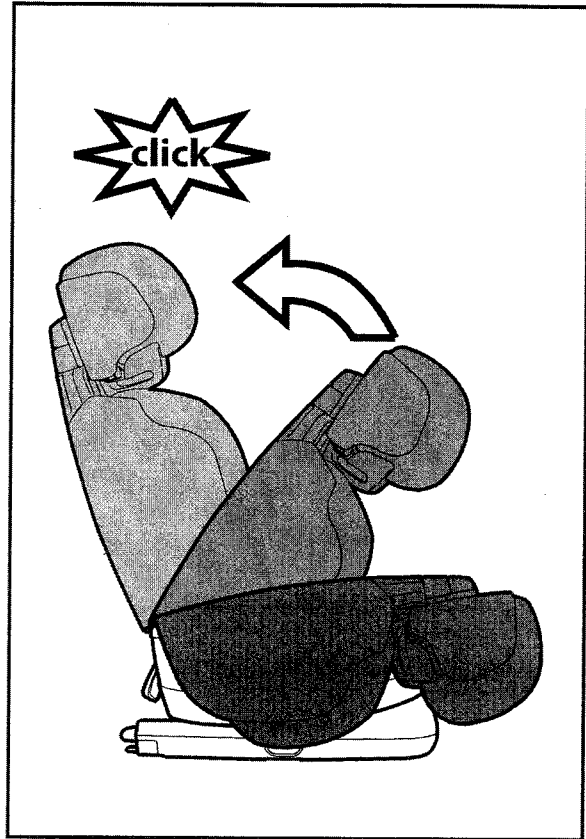
The car seat is ready for use: no assembly operation is required.

In case of missing or malfunctioning parts, please contact our Customer Service @ 1-800-671-1701 for help.



Opening the product before use

1. Raise the car seat backrest until it clicks; the product should remain upright on its own. The backrest oscillates by a few degrees to better fit the different types of vehicle seats.



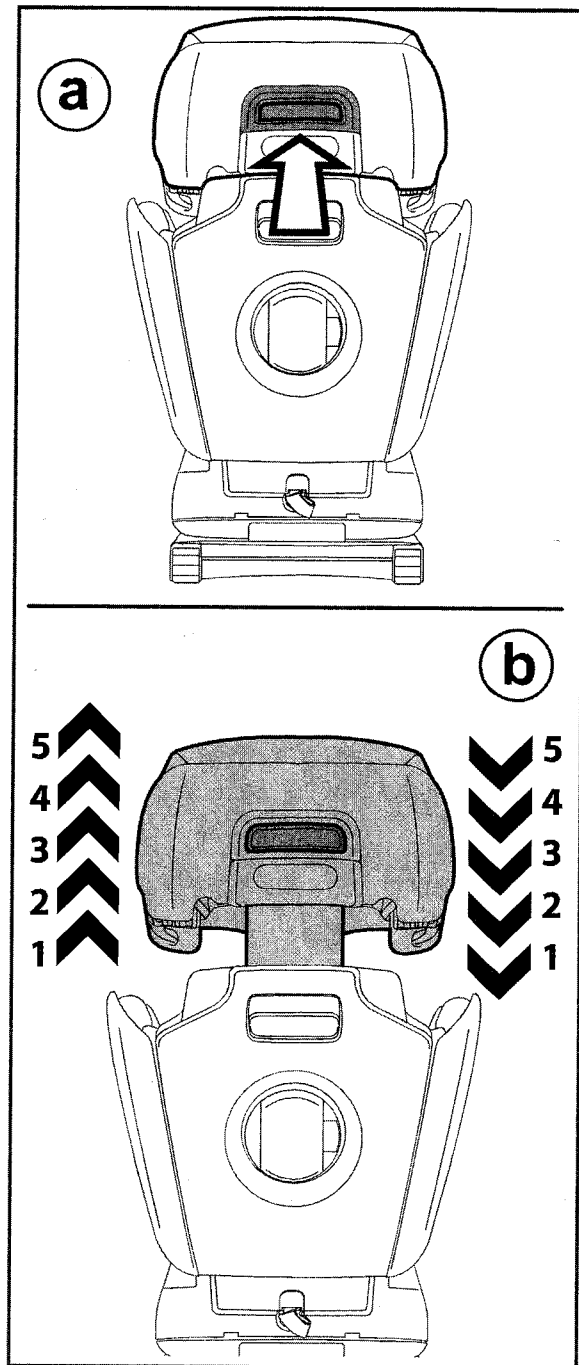
Product features

Viaggio Flex 120 adjusts to grow with your child. Each adjustment is independent to ensure maximum flexibility of use.

1. The headrest can be adjusted in 5 positions. Lift the handle (fig_a) on the back of the headrest and simultaneously raise the headrest (fig_b), placing it at the desired height.

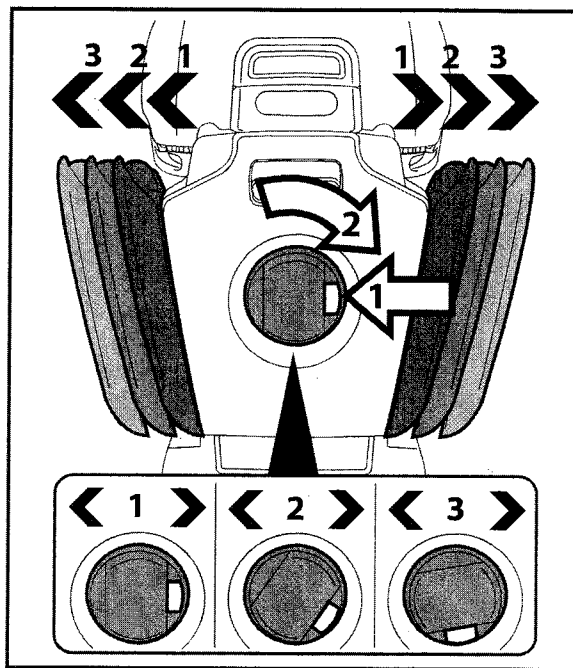
⚠ IMPORTANT: as the child grows, it is necessary to adjust the height of the headrest according to that of the child.

⚠ IMPORTANT: after completing the operation, try to move the headrest to ensure it is correctly fitted in place.

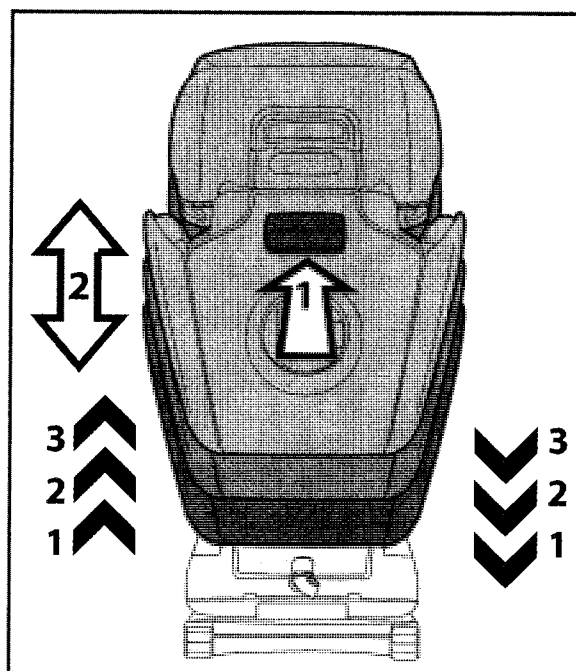


Product Features

2. The width of the backrest may be adjusted in three positions (closed, mid, opened). Push the button on the side of the knob (1) and rotate the knob (2) clockwise to open the wings. This operation is required as your child grows. To close the wings, push the side button and turn the knob anti-clockwise.

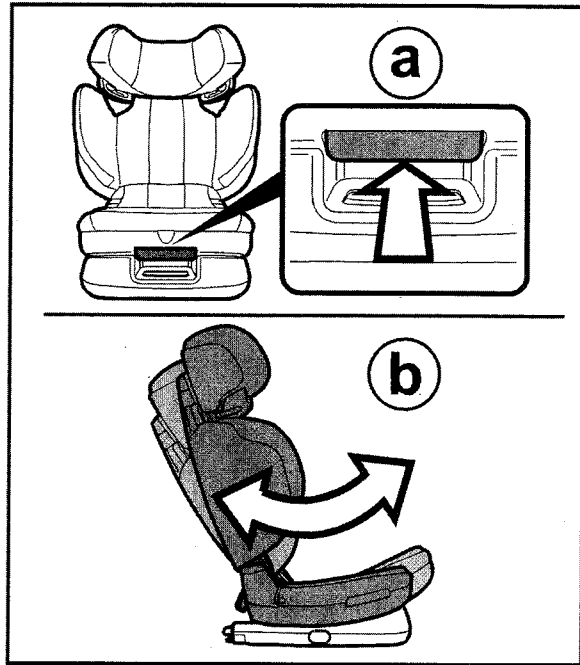


3. The height of the backrest may be adjusted in 3 positions: push the handle on the rear of the backrest upwards (1) and lift at the same time the entire backrest (2) to the desired position. To lower the backrest, pull the handle (1) and push at the same time the backrest downwards (2). This operation is required as your child grows.

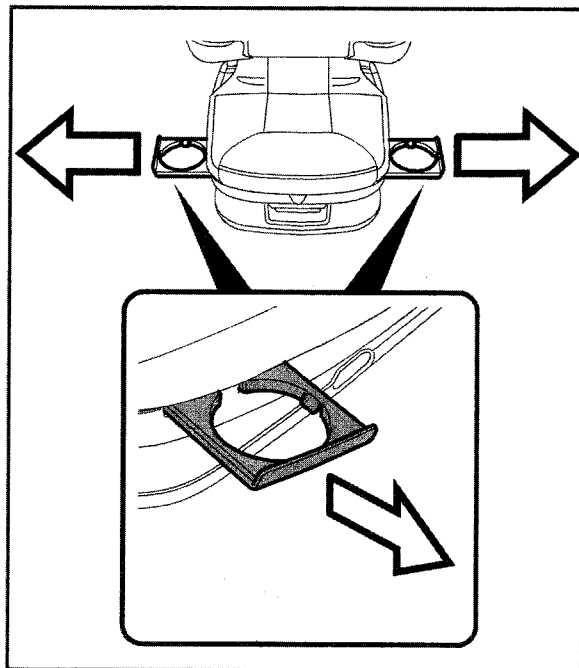


Product features

4. Viaggio Flex 120 is fitted with a reclining system that guarantees maximum comfort. To recline the seat, pull the handle (fig_a) on the front and simultaneously recline the product (fig_b).



5. Viaggio Flex 120 is fitted with two side cup holders.



Vehicle seat belts design and compatibility

Viaggio Flex 120 is designed to be installed with lap and shoulder vehicle belts commonly fitted on most of the available cars. However, in the market there are several different types of vehicles manufactured in different periods.

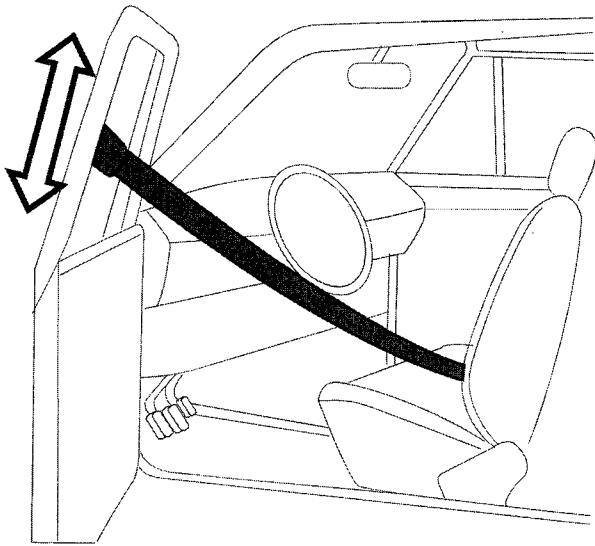
As a result, there are many different vehicle belt designs. Unfortunately, some may be unsuitable for a safe installation of Viaggio Flex 120. Please read carefully the list below and in case of problems or doubts, double check your vehicle owner's manual or call Peg-Perego Customer Service @ 1-800-671-1701 for additional help.

Vehicle seatbelts design and compatibility

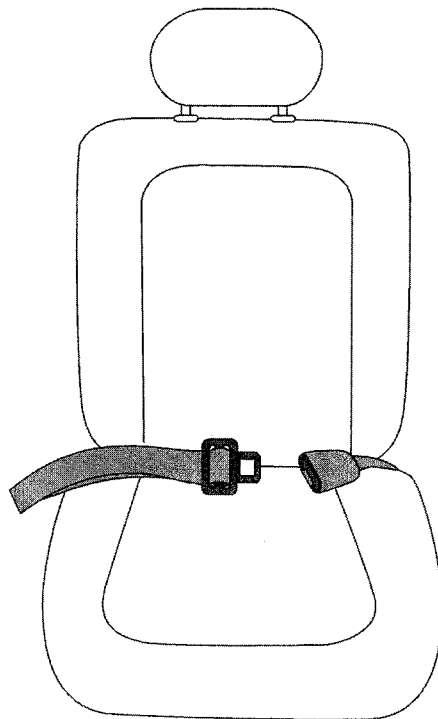
NON COMPATIBLE VEHICLE BELT DESIGNS

WARNING: do not use Viaggio Flex 120 with the following vehicle belt design:

1. Lap/motorized shoulder belts. Belts mounted on the door



2. Lap belt only of any kind.



Vehicle seatbelts design and compatibility

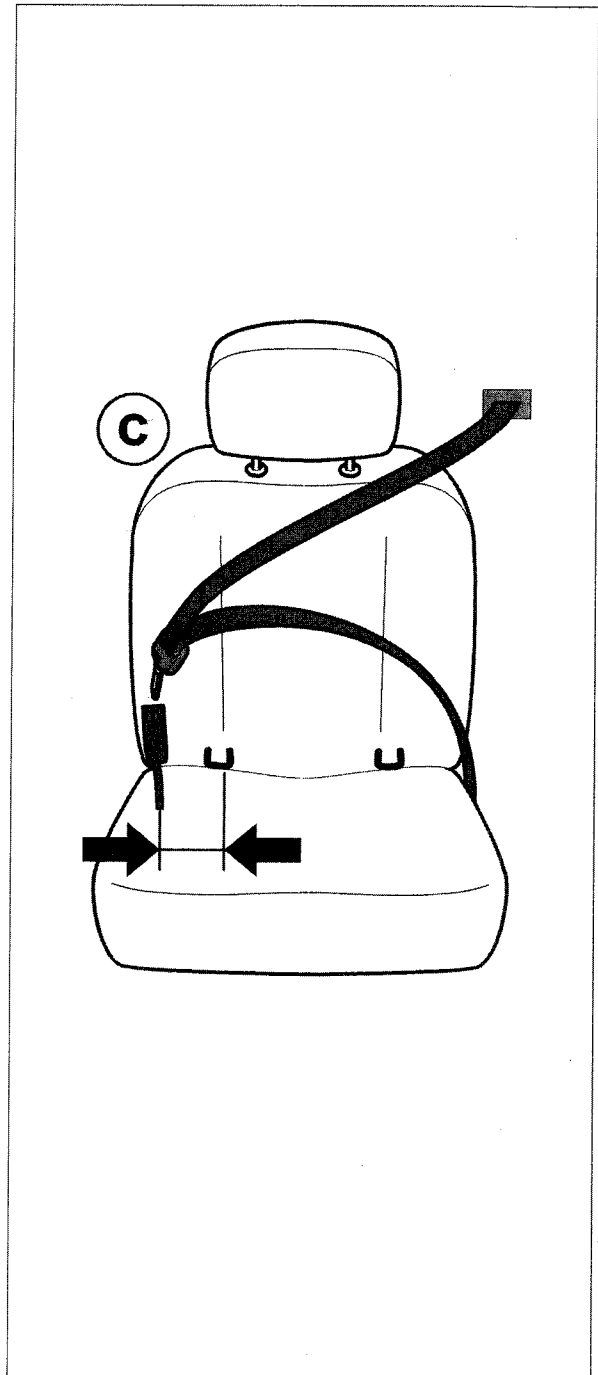
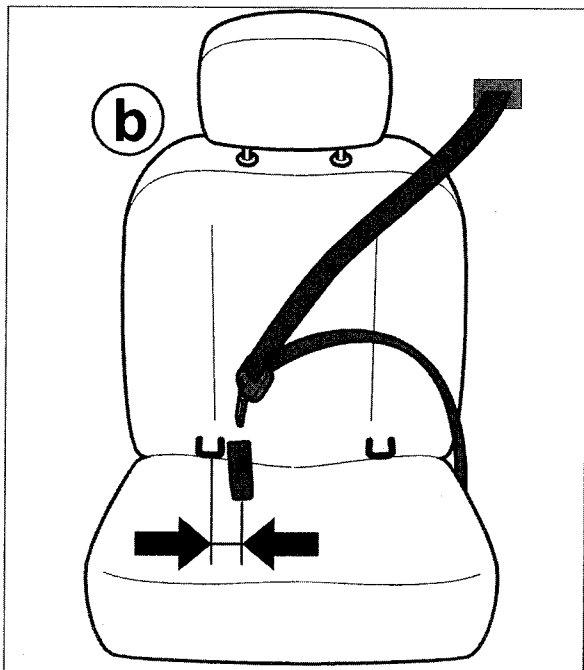
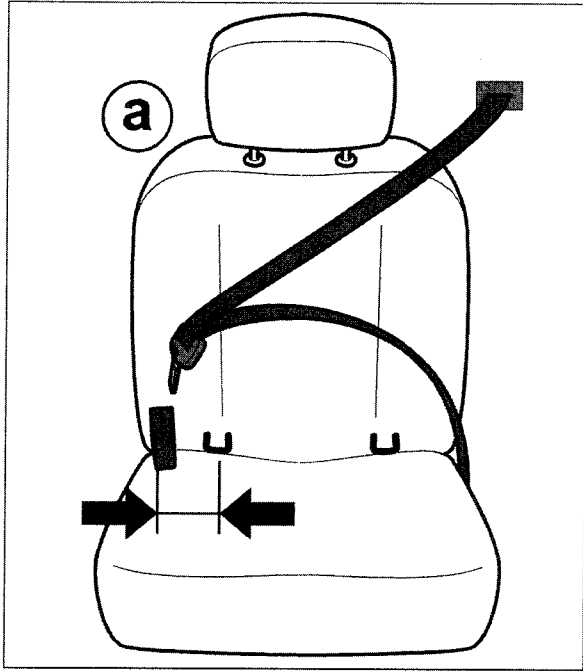
Viaggio Flex 120 is a booster seat equipped with rigid latch. Although the rigid latch is used for added stability only, its use is recommended.

When installing the seat, make sure that there is enough space between the attached seat and the vehicle belt buckle (a). On certain vehicles, the buckle and the latch anchors may be close one to the other.

In the unlucky eventuality that they are too close (b), or even overlapped, the contemporary use of vehicle seatbelts and rigid latch may be not possible; please refer to the vehicle owner's manual for a suitable installation position or contact Peg-Perego Customer Service @ 1-800-671-1701 for additional help.

In case your vehicle is equipped with flexible buckles, make sure that the buckle position allows for trouble free attachment of the vehicle seatbelt plate (c).

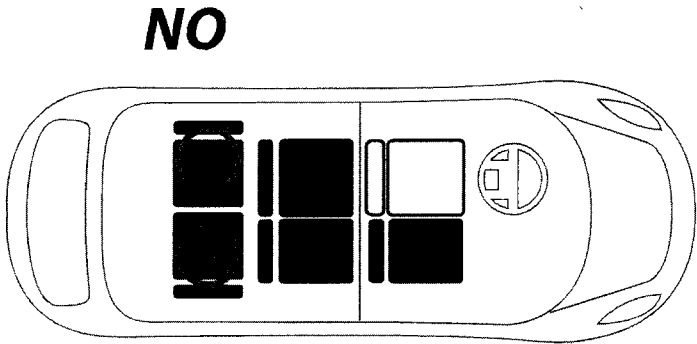
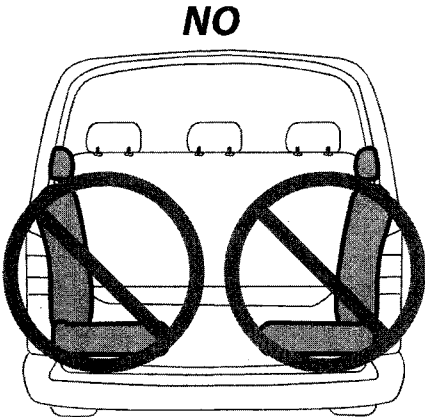
Vehicle seatbelts: design and compatibility



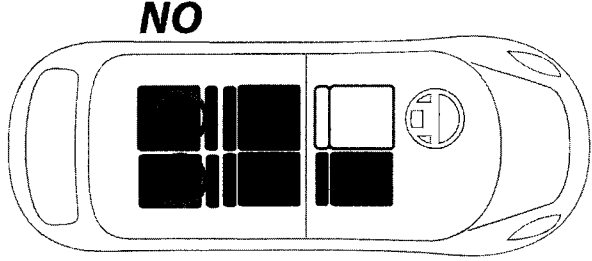
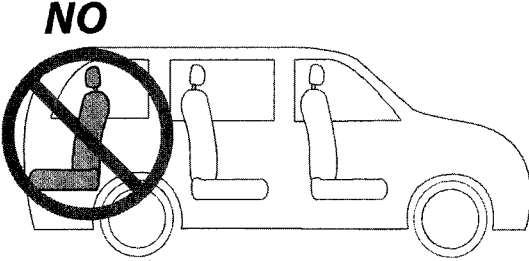
Vehicle seat design and compatibility

WARNING: do not use Viaggio Flex 120 with the following vehicle seat design:

1. Side facing seats



2. Rear facing seats or seats that rotate in different positions



For your child's safety, always read your vehicle owner's manual for further informations.

Installing the booster seat in the vehicle

How to attach the car seat on vehicle seats equipped with latch anchors.

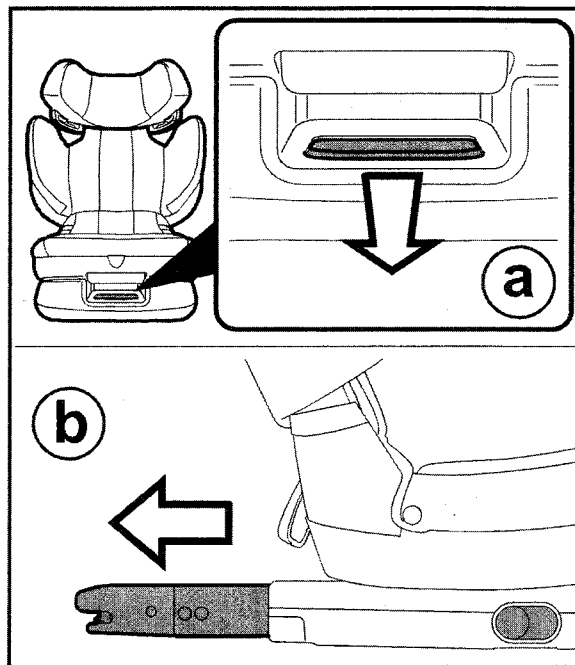
If your car is not fitted with latch positions, go to the next section. For further information on the availability of the anchors and their location, refer to the vehicle's instruction manual.

IMPORTANT NOTE: use of LATCH connectors are recommended by Peg-Perego to achieve the best stability of the product in case of sudden or steep turns. Also, using the LATCH will give guarantee that the product is located in the correct position with respect to the vehicle belt attachment points.

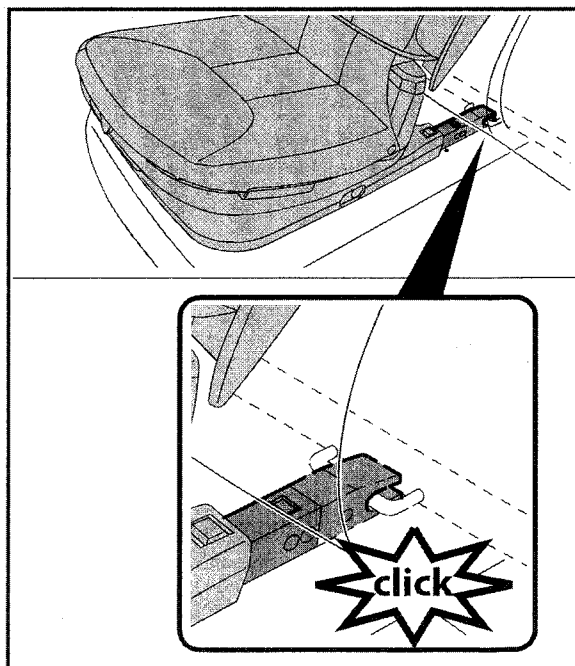
Use of latch does NOT replace the use of vehicle's seatbelt to restraint your child.

Installing the booster seat in the vehicle

1. To expose the connectors located inside the base, pull the handle on the bottom front part of the seat (fig_a). The connectors will be ejected (fig_b). Repeat to make sure they have been ejected fully and simultaneously.



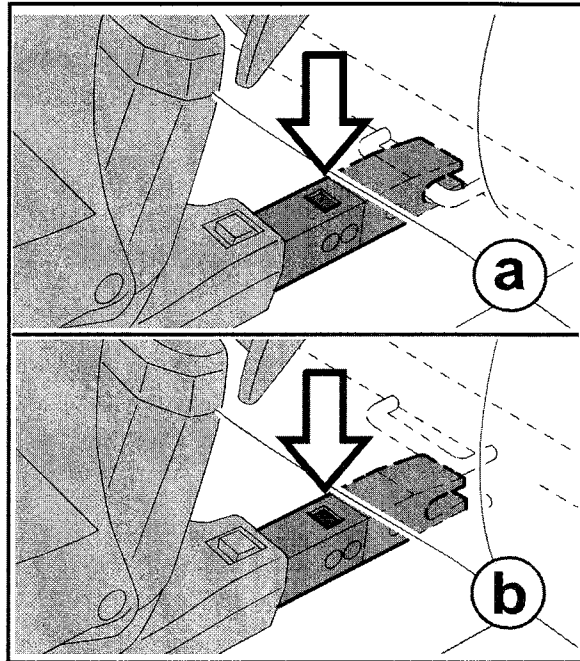
2. Attach the connectors to the vehicle seat anchors, ensuring they "click" into place.



Installing the booster seat in the vehicle

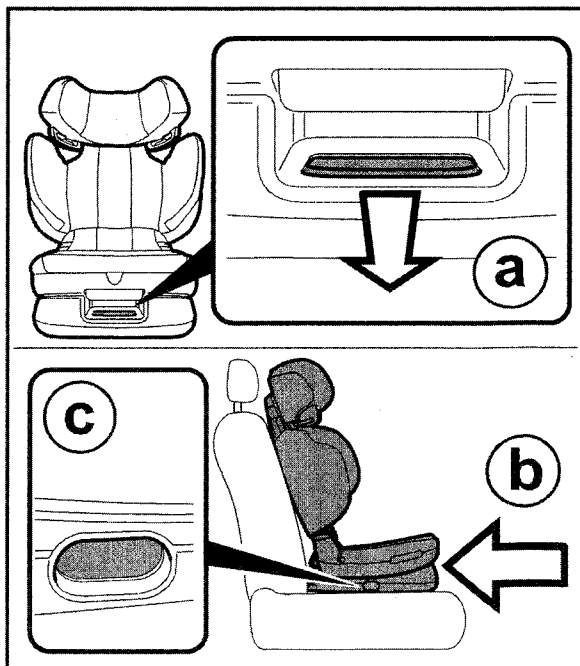
3. **⚠ IMPORTANT:**

The vehicle anchors and the car seat connectors are correctly coupled when a green signal appears above the connectors (fig_a). A red signal indicates that the attachments have NOT been coupled correctly (fig_b).



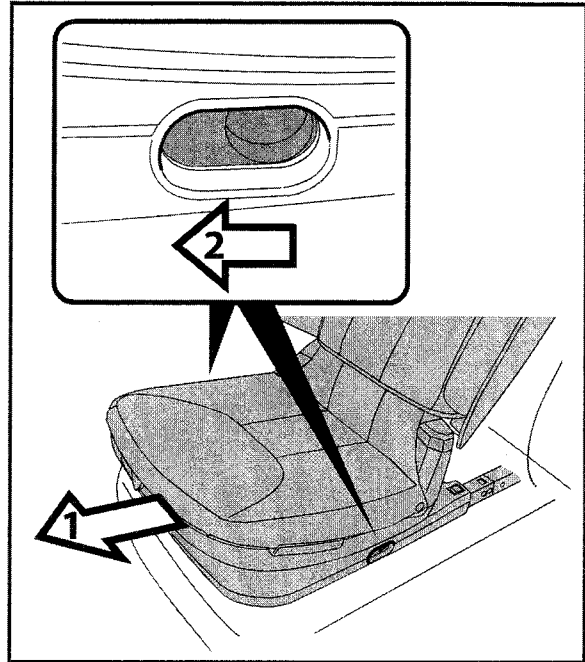
4. After attaching the seat, pull the front handle again (fig_a) and, at the same time, push the car seat towards the vehicle's seat (fig_b), then release the handle.

By doing this the release buttons on the side of the base will disappear (fig_c), thus preventing inadvertent release.

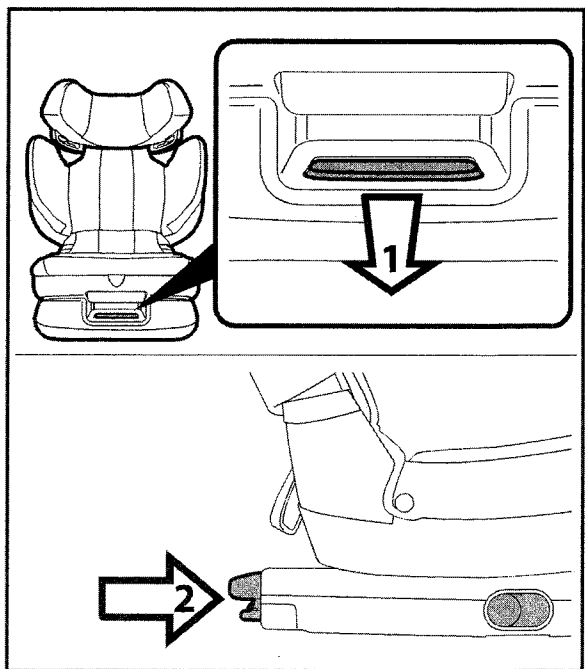


Installing the booster seat in the vehicle

5. To release Viaggio Flex 120 from the vehicle seat, pull the handle (1) and the seat until the release buttons on the side of the base are fully revealed. In so doing, the yellow release buttons will be visible on the sides of the base; pull the two buttons (2) until you hear the attachments click open. At this point you can remove the car seat.



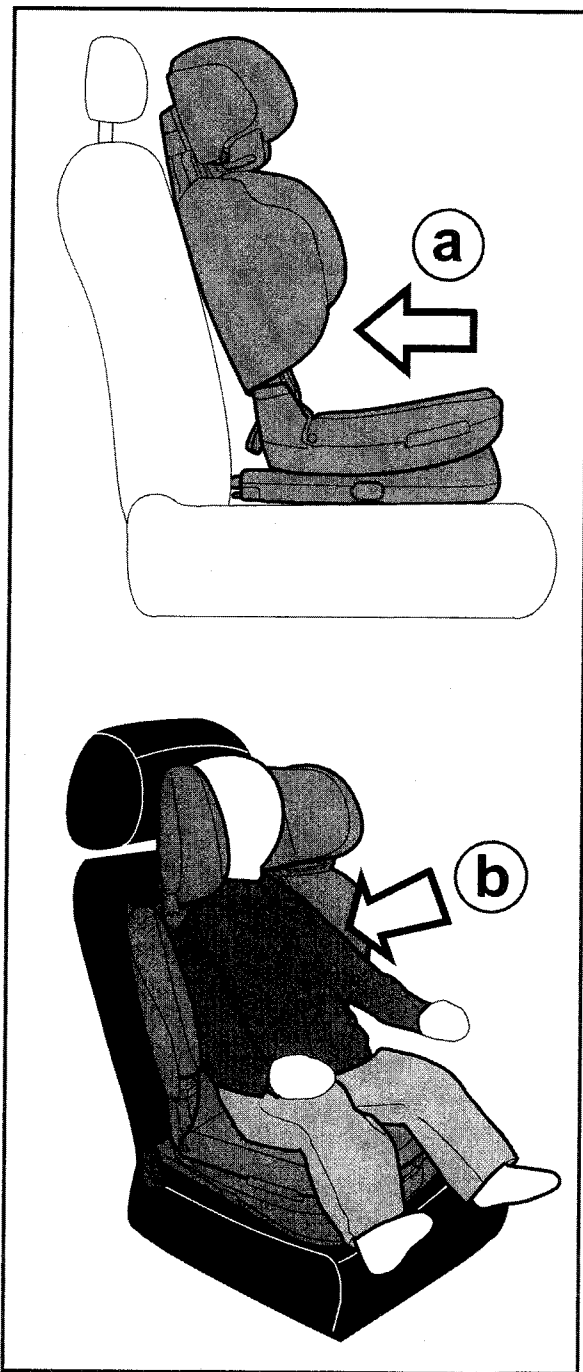
6. To reposition the connectors inside the base (when not in use), pull the lever once more (1) and simultaneously push one of the two connectors in (2) until they disappear.



Installing the booster seat in the vehicle

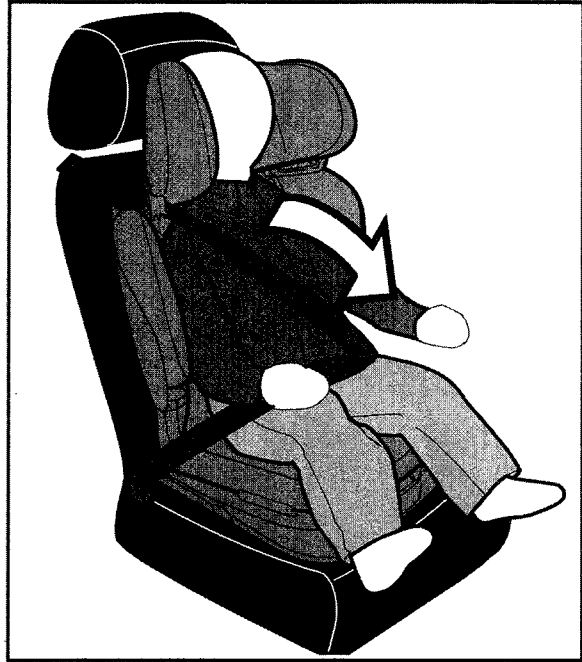
How to attach the car seat on vehicle seats not equipped with latch anchor positions.

7. Place the Viaggio Flex 120 car seat on the vehicle seat in the direction of travel, leaving the connectors inside the base (fig_a) and position the child in the seat as shown in the picture (fig_b), ensuring the car seat does not move during this operation.

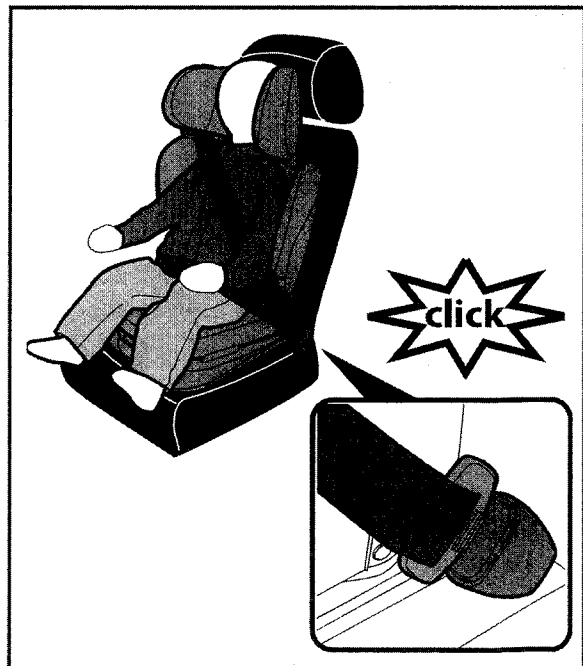


Securing your child in the booster seat

1. Secure your child with the vehicle seat belt as shown in the picture.



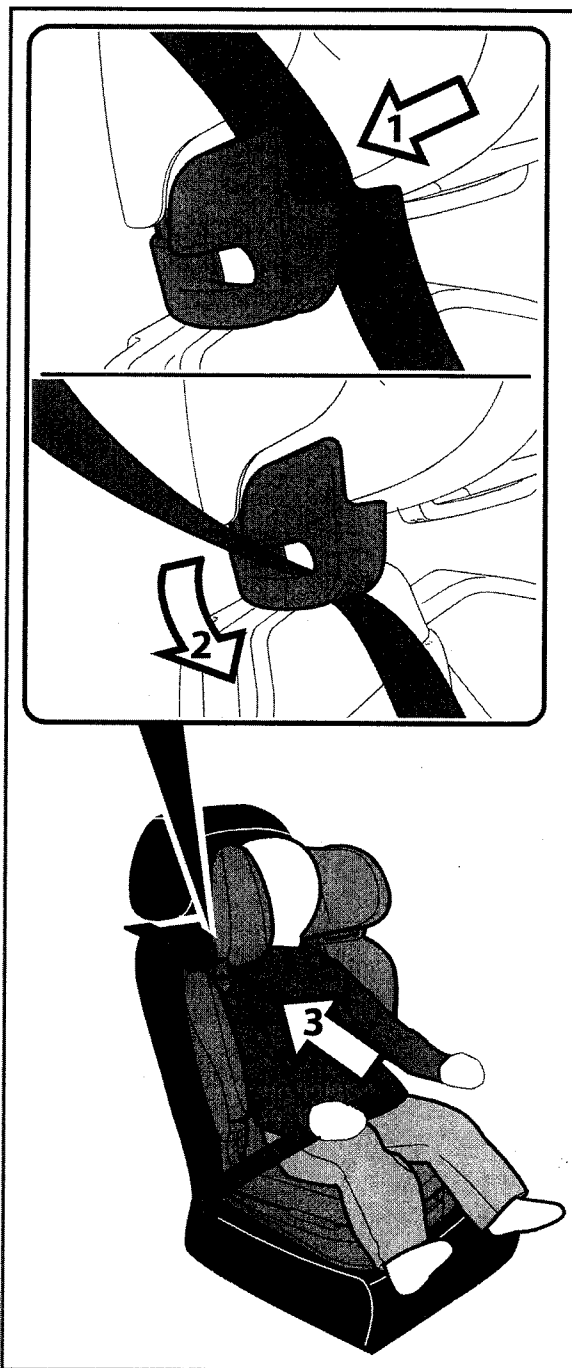
2. Fasten the vehicle seat belt, ensuring that it clicks in place. Position the two sections of the belt as shown in the picture.



Securing your child in the booster seat

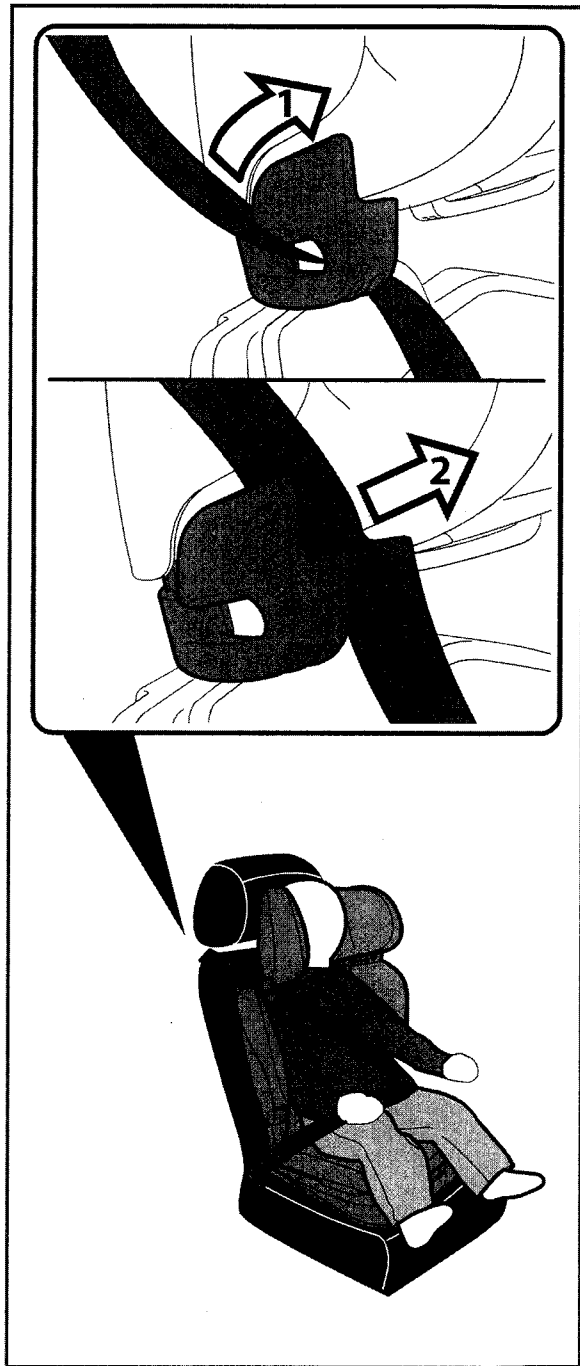
3. Thread the belt through the router placed on the headrest: thread the belt between the router and the headrest (1) until it slides completely into the router slot (2).

⚠ IMPORTANT: If the belt is loose, pull it tight above the loop (3). Ensure the belt is always tensioned and not twisted.



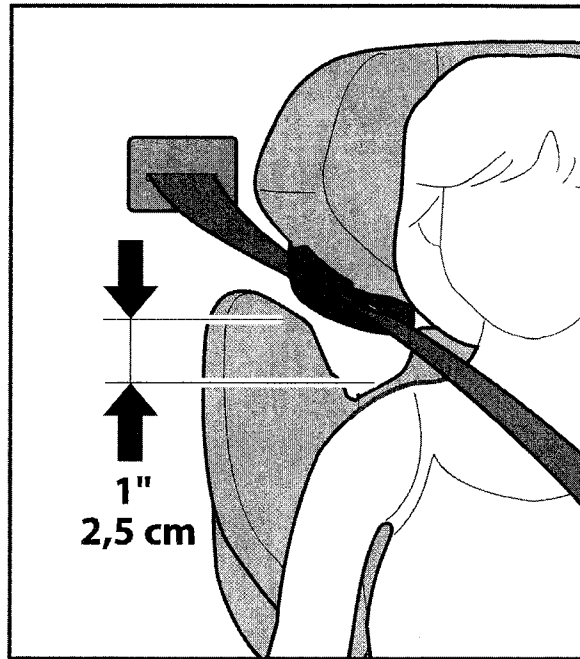
Securing your child in the booster seat

4. To remove the belt, slide it out of the router slot (1) and then between the router and the headrest (2) until it is completely removed.



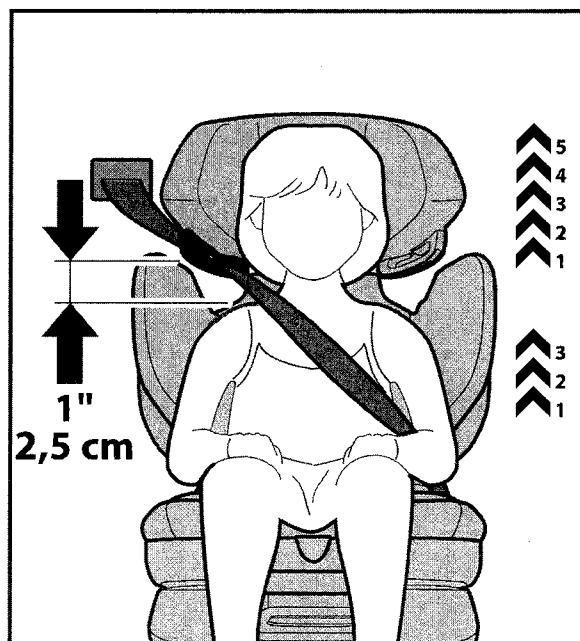
Securing your child in the booster seat

With the child in the booster seat, adjust headrest and backrest height using the levers located behind the seat (refer to pages 13-14). The headrest is properly set when the shoulder belt router is located at no more than 1" (2,5 cm) above shoulder level and the shoulder lies at the center of child's chest.



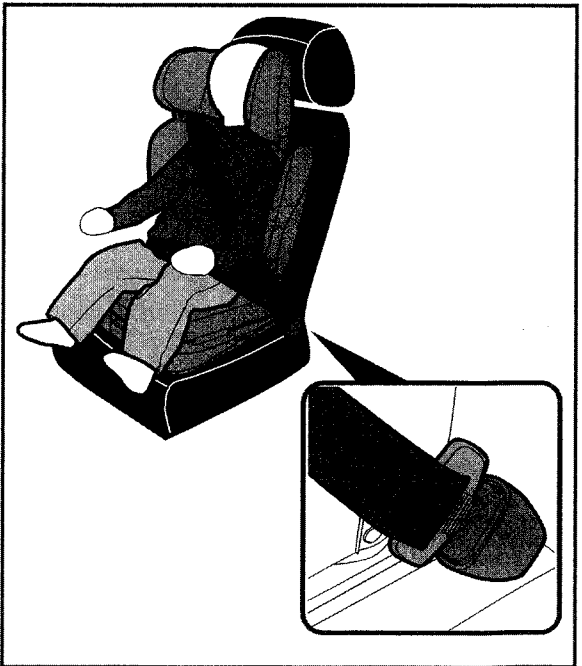
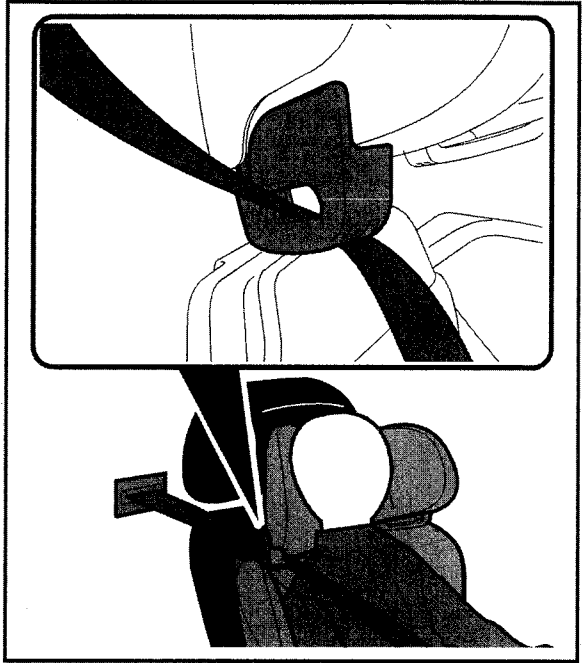
Adjust the headrest and backrest so that the red shoulder belt guide is always within 1" (2,5 cm) of your child's shoulder and never below.

The seat must be discontinued when the child's shoulder touches the belt red guide even when the seat is adjusted at the maximum height.



Securing your child in the booster seat

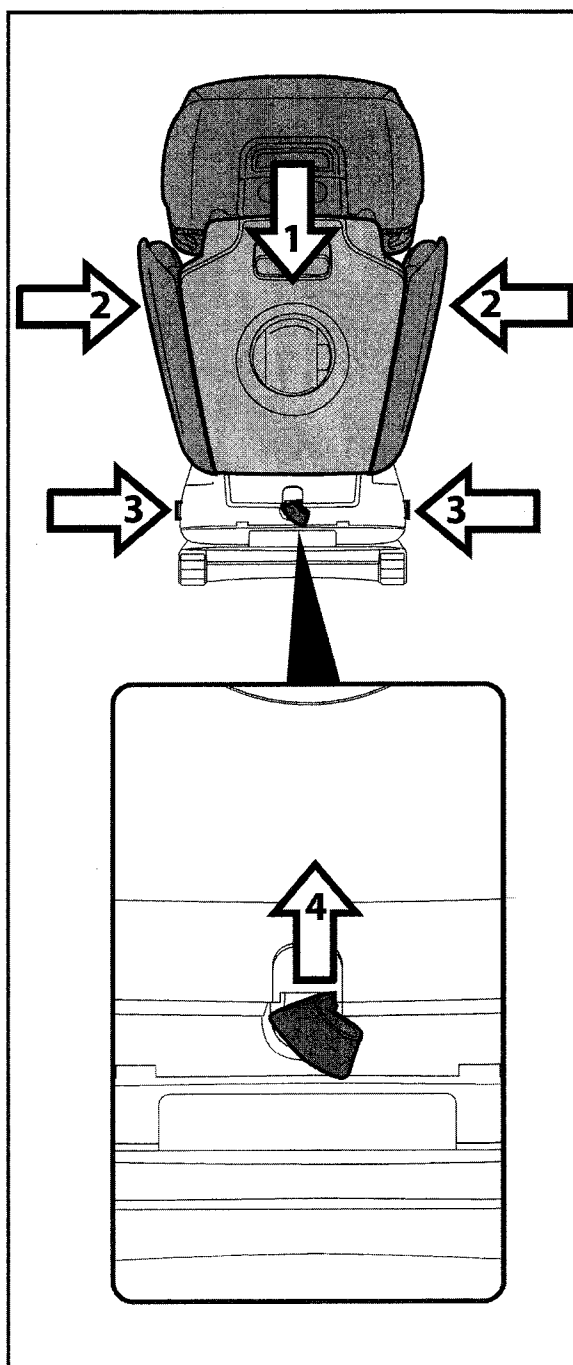
Picture shows the correct belt pattern around the child in your Viaggio Flex 120.



How to fold and carry the car seat

Viaggio Flex 120 is designed with a foldable backrest. Fold it to store the product or carry it. In case the seat is attached with rigid latch and is not in use, you can rotate the backrest for better rearward visibility.

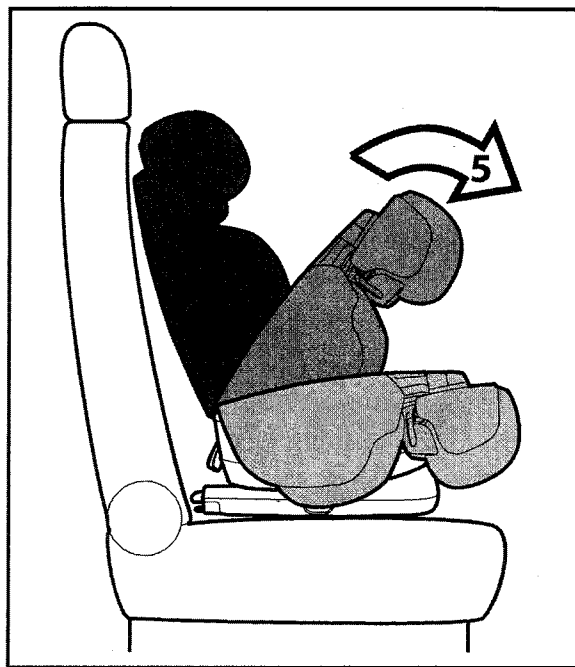
1. To fold the product lower the headrest and the backrest (1), tighten the side restraining wings (2) and, if necessary, push in the cup holders (3). Pull the ribbon upwards (4).



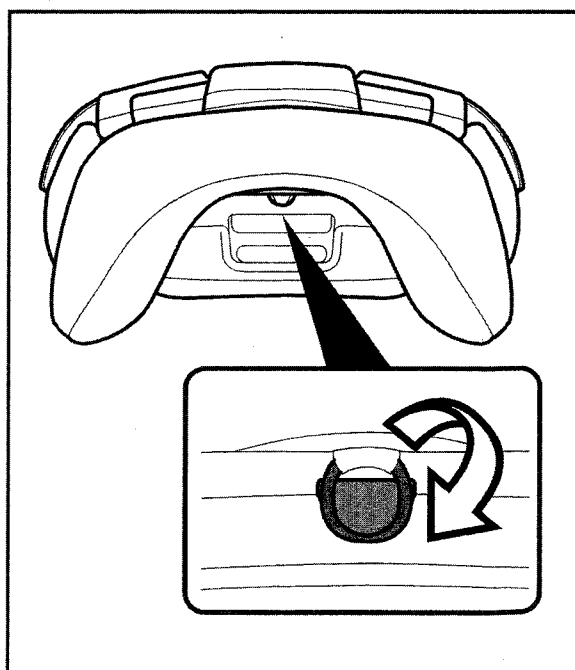
How to fold and carry the car seat

2. At the same time rotate the backrest down (5).

IMPORTANT NOTE: if the Viaggio Flex 120 is not attached with latch and not in use remove it from the vehicle cockpit. In case of a sudden stop or a crash it could be extremely dangerous.



3. Attach the ring that fastens the backrest to the seat when the product is closed.



Cleaning and maintenance

Your booster seat requires a minimum of cleaning and maintenance. Do not clean with harsh products or solvents. Keep moving parts clean. In case, clean plastic parts with a damp cloth. Do not use water with harness and latching mechanisms. Protect the booster seat from extreme cold, water, rain and sun exposure. Prolonged exposures to these elements can change the colors in the material but also change their mechanical properties. Store the booster seat in a dry area if not used for long periods.

The upholstery is likely to be removed and cleaned frequently. Follow the procedure below to remove the fabric and reassemble it properly. Check the booster seat features before disassembly and make sure that the same features are still working once the booster seat is set up for use again. Extra care is required when removing padding to avoid breaking the white EPS panels on the booster seat.

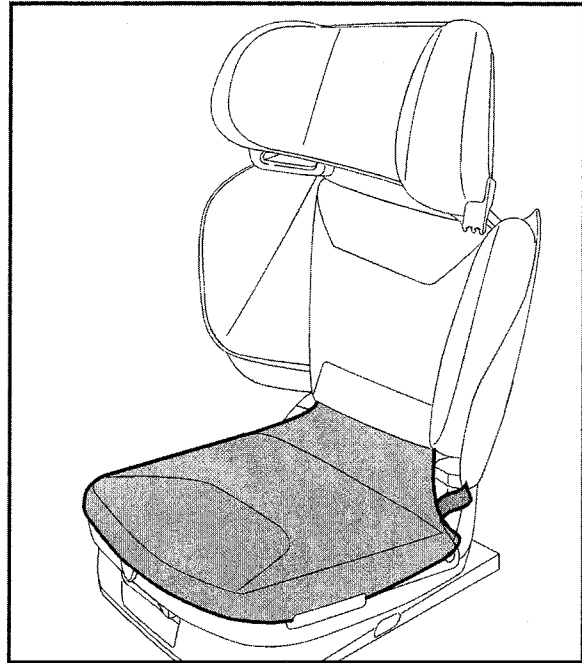
All the upholstered covers (seat, backrest and headrest) can be machine washed at 87° F (30° C).



Cleaning and maintenance

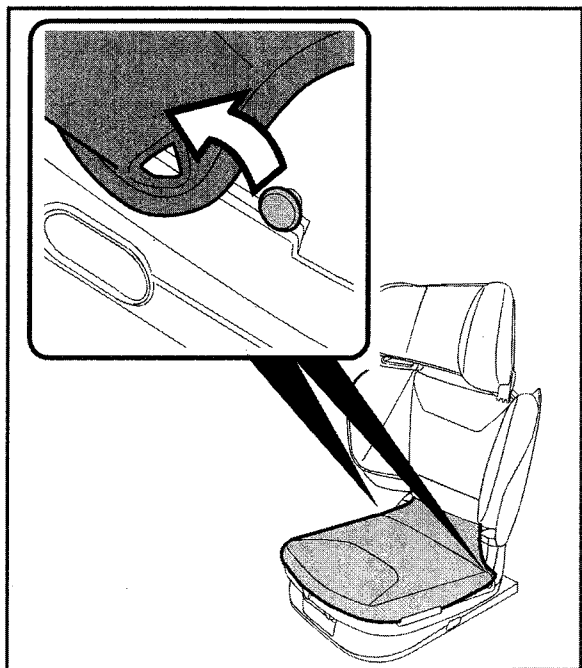
The upholstery of Viaggio Flex 120 may be removed for cleaning.

1. Follow the washing instructions on the seat lining.



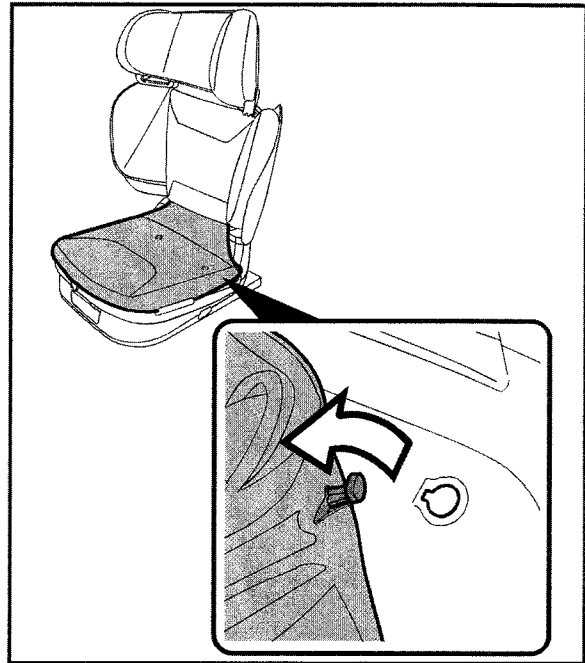
Removing the upholstery from the seat:

2. Unhook the two eyelets from the buttons on the sides of the car seat base.

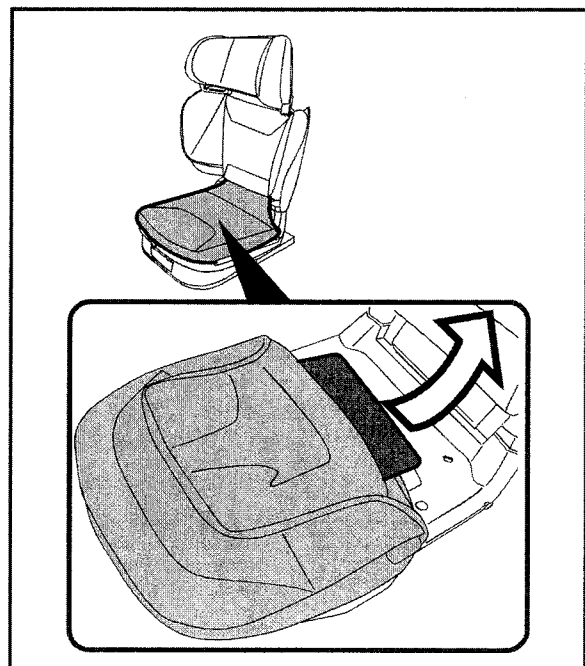


Cleaning and maintenance

3. Release the plastic hooks from the seat base.



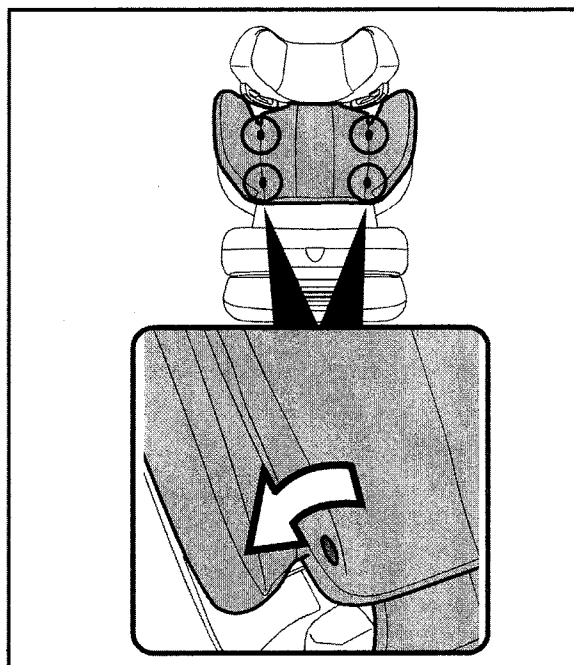
4. Remove the upholstery and slide out the plastic panel placed inside the pocket as shown. Remember to put it in place once the lining has been washed and dried.



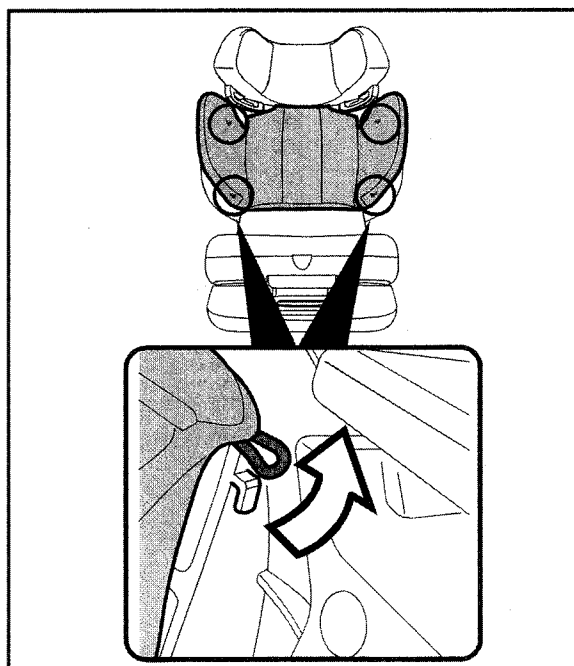
Cleaning and maintenance

Removing the upholstery from the backrest:

5. Remove the four eyelets from the plastic buttons on the sides of the backrest. To facilitate this operation, widen the side wings

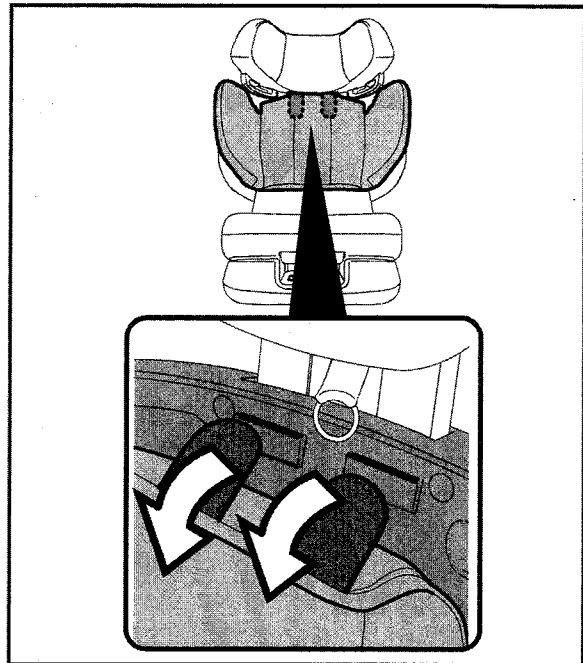


6. Release the two upper elastic bands and the two lower ones located on each side.



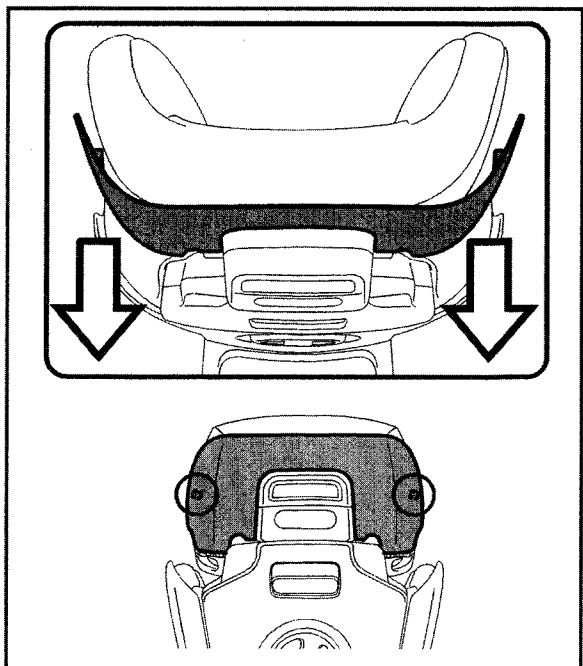
Cleaning and maintenance

7. Remove the two flaps from their slots on the upper part of the backrest. To help with this operation, raise the headrest. At this point you can remove the lining from the car seat upholstery backrest.



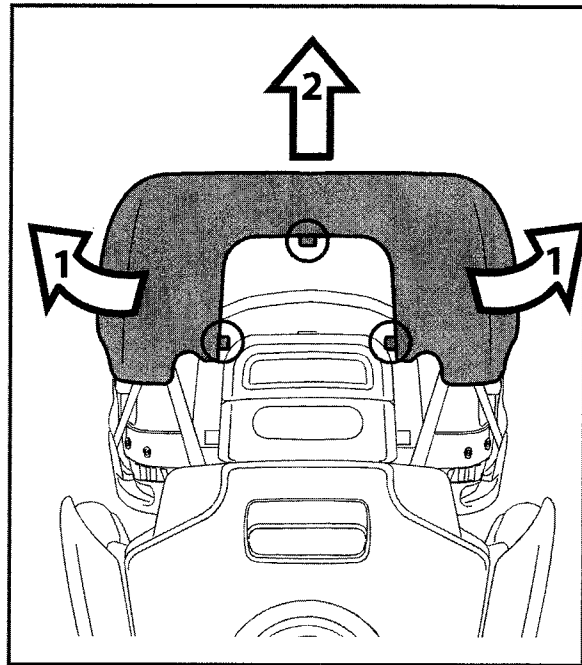
Removing the upholstery from the headrest:

8. To remove the plastic cover on the back of the headrest, unfasten the two side hooks.

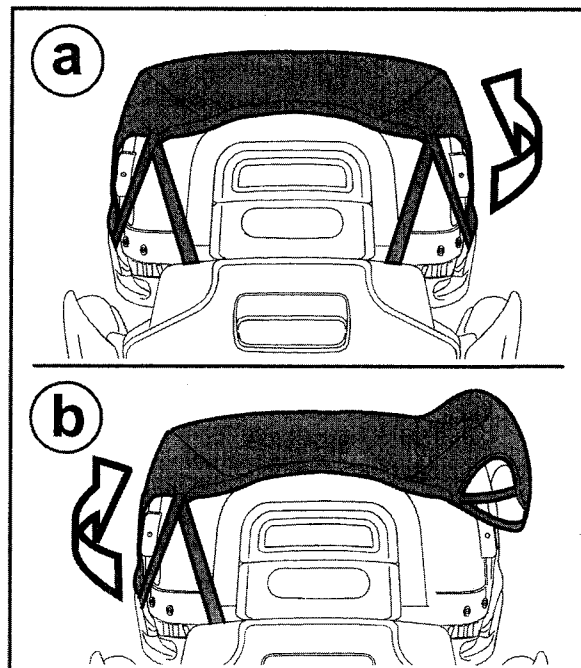


Cleaning and maintenance

9. Release the bottom (1) and top tabs (2) as shown.



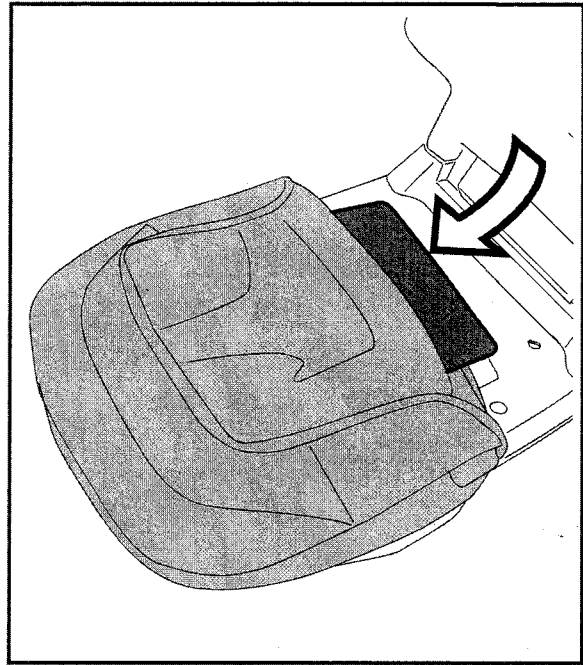
10. To remove the headrest upholstery, slightly raise the headrest and release the two elastic bands on one side (fig_a) and then on the other (fig_b). Remove the upholstery.



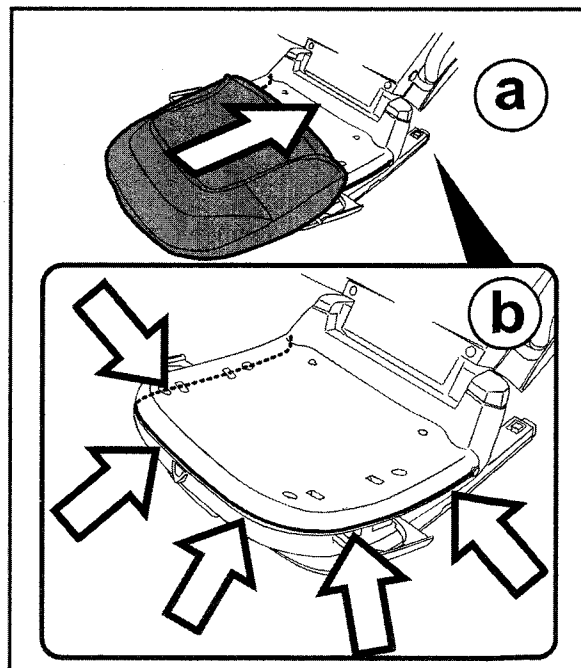
Cleaning and maintenance

Relining the seat:

1. Insert the plastic panel in the pocket of the seat.

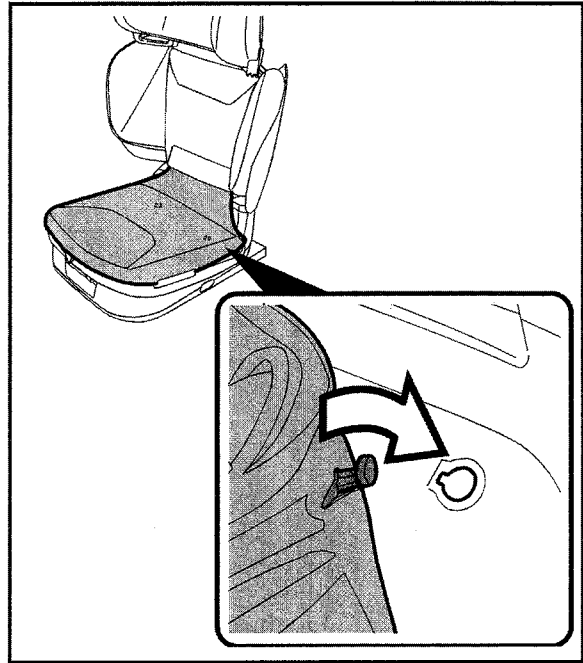


2. Slip the seat lining on from the front (fig_a), inserting the profile in the appropriate slot (fig_b).

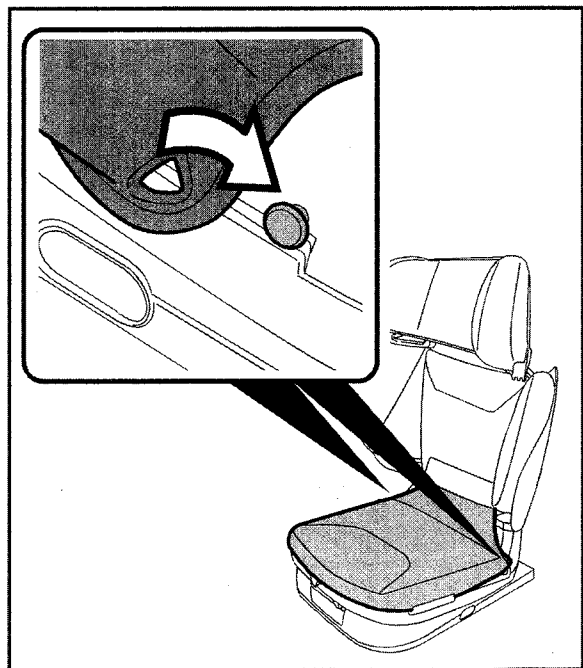


Cleaning and maintenance

3. Insert the two hooks on the base of the seat near the bottom of the backrest.



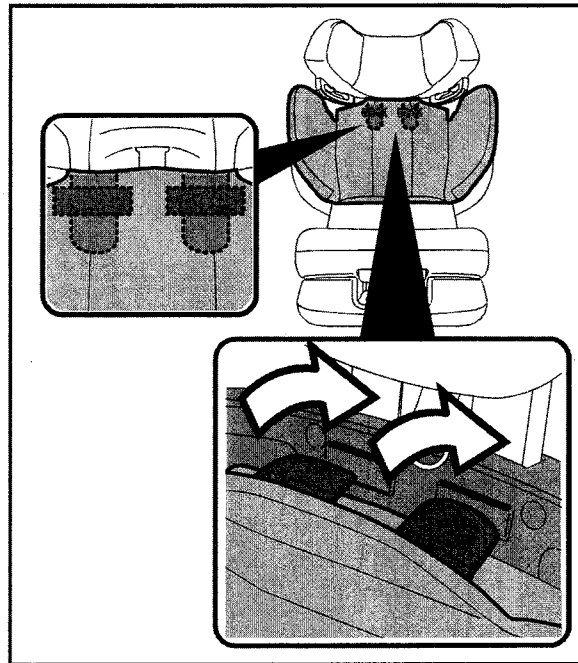
4. Finally, attach the two side eyelets to the buttons on the sides of the seat.



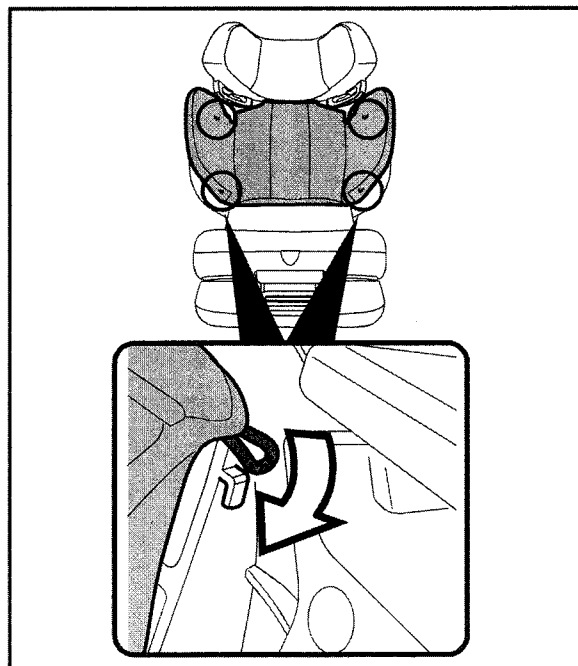
Cleaning and maintenance

Relining the backrest:

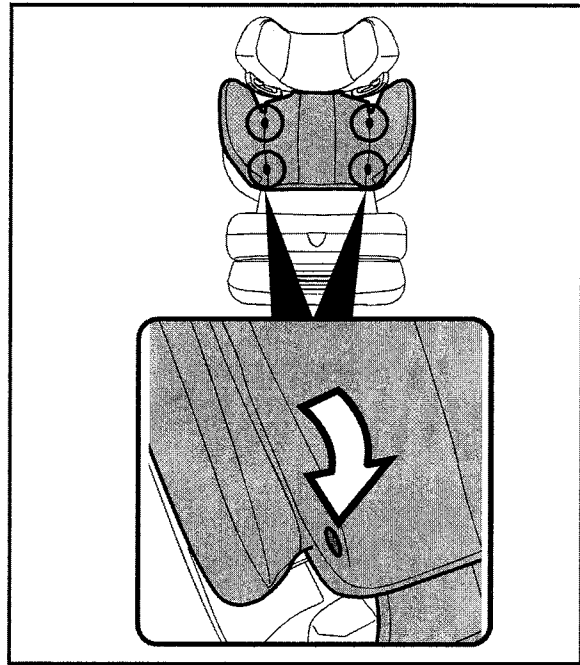
5. Slightly widen the side wings of the car seat and insert the plastic flaps into their slots in the backrest, ensuring they come out below as shown in figure.



6. Slip on the side lining and fasten the two upper elastic bands; repeat for the lower elastic bands.

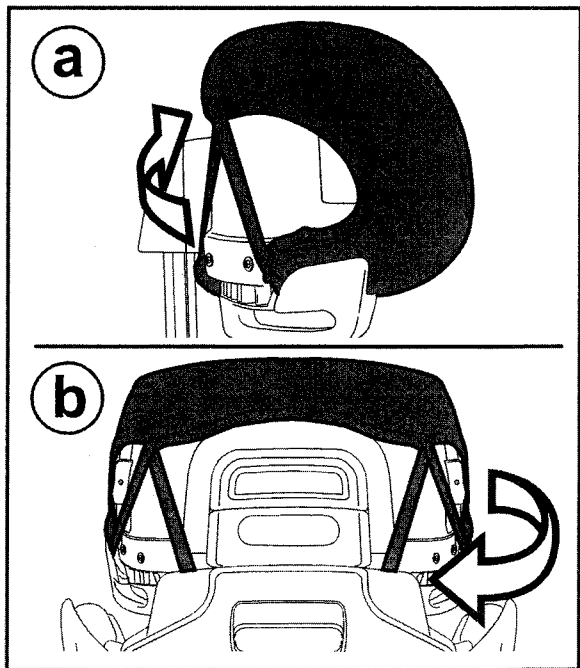


7. Fasten the four side eyelets to the appropriate buttons.

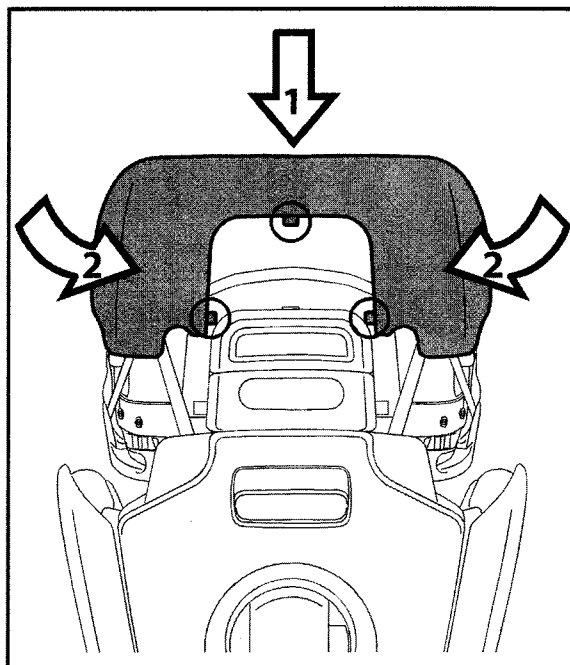


Relining the headrest:

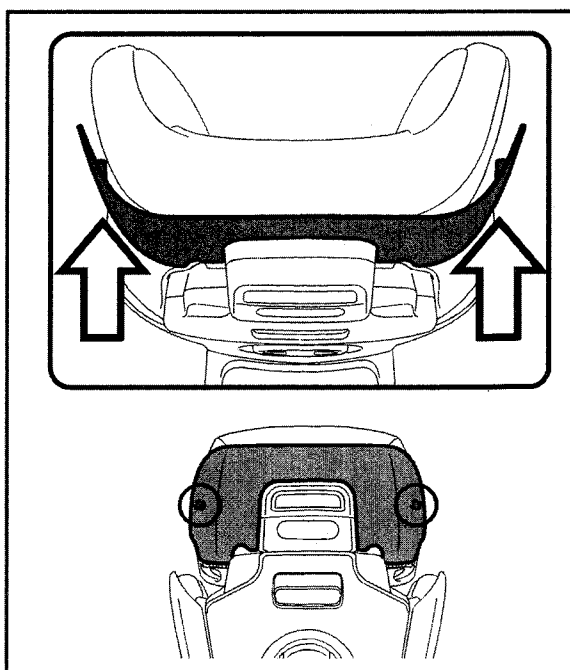
8. Slightly raise the headrest and put the lining back in place, fastening the two elastics as shown, first on one side (fig_a) and then on the other (fig_b), and paying attention to the white polystyrene.



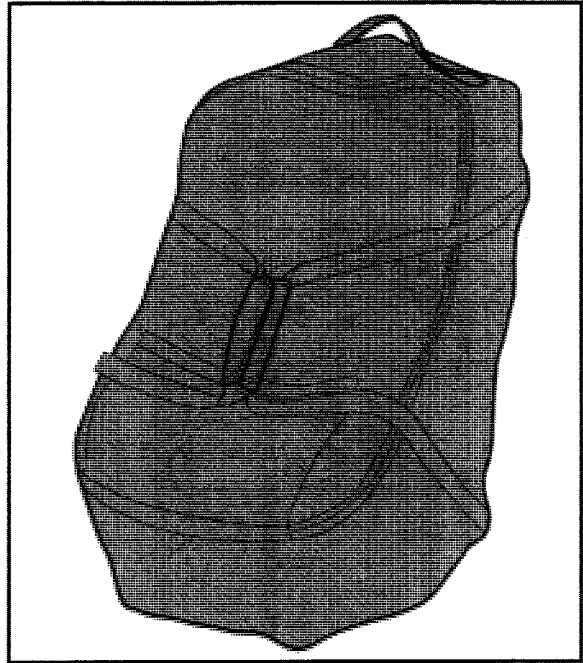
9. Fasten the back cover along the three central points above the adjustment handle, following the sequence shown in the figure.

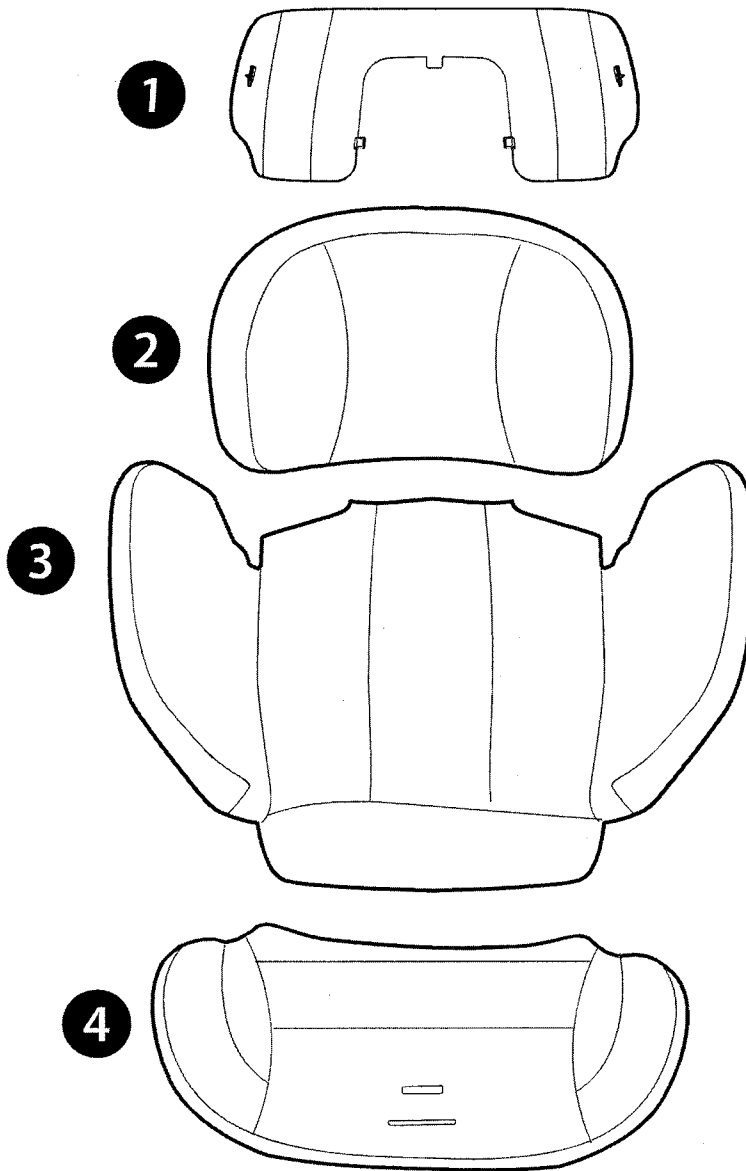


10. Finally, fasten the two sides to the headrest.



Travel Bag Car Seat:
practical travel bag that
keeps the car seat clean
and protected.





- 1) SPST7731NF
- 2) BRIVFLO0*
- 3) BSCVFLO0*
- 4) BSAVFLO0*

NOTE: Spare parts available in different colors* to be specified when ordering.

EN English

Declaration of conformity

Product name

VIAGGIO FLEX 120

Product reference number

IMVF00US35*

Reference Standards (origin)

FMVSS 571-213 (USA)

Declaration of conformity

Peg-Perego S.p.A. declares under its sole responsibility that the article to which this declaration relates has undergone internal testing and has been approved, in accordance with regulations in force, by external, independent testing laboratories

Date and place of issue

Arcore, 26 Maggio 2016

Peg-Perego S.p.A.
Via De Gasperi, 50
20862 Arcore (MB), ITALY

ES Español

declaración de conformidad

Denominación del producto

VIAGGIO FLEX 120

Código de identificación del producto

IMVF00US35*

Normativas de referencia (origen)

FMVSS 571-213 (USA)

Declaración de conformidad

Peg-Perego S.p.A. declara bajo su propia responsabilidad que el artículo considerado ha sido sometido a ensayos propios y ha sido certificado por laboratorios externos e independientes de conformidad con la normas vigentes.

Fecha y lugar de expedición

Arcore, 26 de Mayo 2016

Peg-Perego S.p.A.
Via De Gasperi, 50
20862 Arcore (MB), ITALIA